

Your Logo / Info Here

Project Information

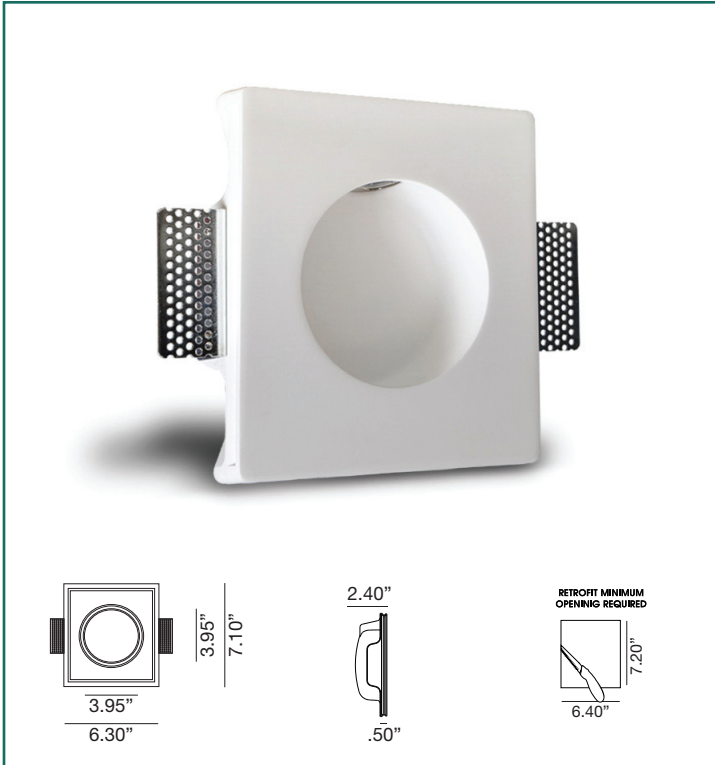
Fixture Type: _____

Project Name: _____


Location: _____

LG-4006

Steplight LED



Lamp Details

MR11 LAMP TYPE	
Lamp Module Details	CL2-MR11
WATTAGE	2W
CRI	80
BEAM SPREAD	38°
CLASS	CLASS 2
POWER SUPPLY	CONSTANT CURRENT
VOLTAGE	6V
CURRENT	350MA
COLOR TEMP	30K
IC	YES
LUMENS	180
DIMMING	YES
LED TYPE	CREE
REMOTE DRIVER	Included

Product Description

The Harmony LED Plaster Recessed Light

Revolutionary Plaster light fixture, which allows a true seamless and trimless installation. The fixtures are paintable using standard paint and paint colors.

LED Lighting Engine High performance, low power LEDs provide outstanding reliability, performance and color quality/consistency. 3000k color temperature with 80+ CRI.

- Life Rated for 30,000 hours at 70% lumen maintenance
- All testing reports are based on published industry procedures

Product Features

- Revolutionary flush mounted trimless & seamless design which offers consistent aesthetics
- Made out of Plaster materials
- Our plaster fixture can be painted fast and easy by simply using your standard paint colors.
- Energy efficient LED light engines
- Dimmable with a variety of commonly used drivers
- Fixtures can be used with all Smart House Systems such as Lutron, Vantage, Control4, Crestron and others
- Easy installation for new construction and remodel applications
- Class 2
- IC Rated UL approved fixtures
- Environmentally Friendly Materials
- Damp location Rated
- Dimming Driver included

Your Logo / Info Here

Project Information

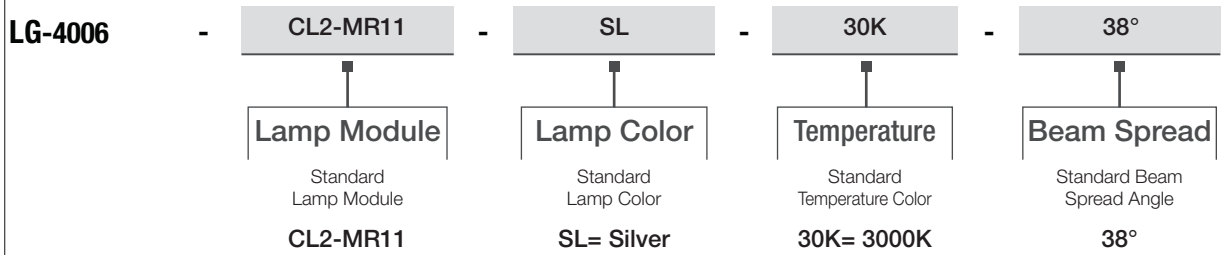
Fixture Type: _____

Project Name: _____

Location: _____

LG-4006 Steplight LED

Ordering Guide



Comments:

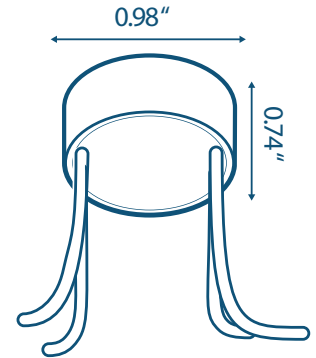
Multiple Fixture Class 2 Daisy Chain Wiring - Driver Not Included (optional)

Low Voltage Constant Current LED Driver

Product Code: SR312

12V Low Voltage drivers have an input voltage range of 9V – 15V and are available in versions outputting 350mA, 450mA or 700mA. In addition, we offer custom calibrations to meet your needs. Because of their advanced design, they output precise current and can be used in a wide range of fixtures powering a wide range of LEDs and is compatible with existing systems fitted with magnetic transformers.

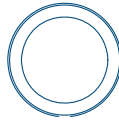
Dimmable with any standard TRIAC in-line dimmer. Their fully encapsulated form-factors are small enough for any OEM fixture. They are ideal for Landscape Lighting, Path Lighting, Area Lighting and Spotlights. Packaged in an anodized aluminum case, they are designed for outdoor and wet environments.



Features

- Dimmable with any standard MLV TRIAC Dimmer
- AC or DC 12V Input
- Wide voltage range 2-4 LEDs in series
- Super compact Aluminum case
- Withstands dry and damp conditions
- IP67 Class 2

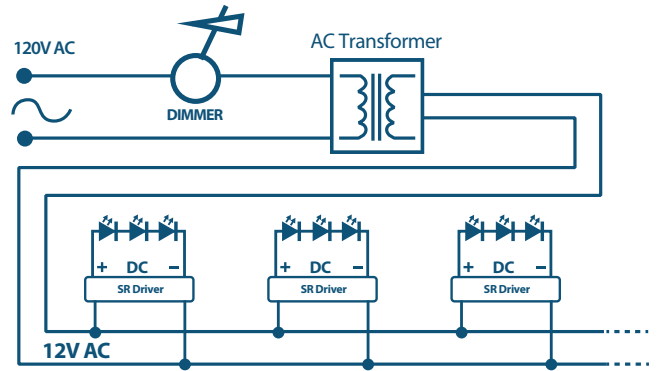
TOP VIEW



SIDE VIEW

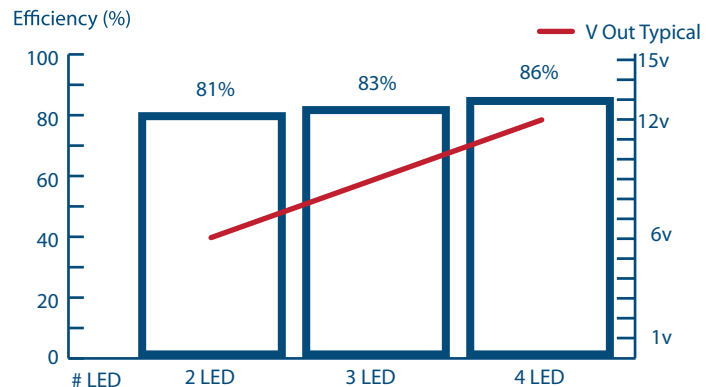


OUTPUT



Specifications

Output Power	4.9 W Max
Output Current	350 mA
# LED (typical)	2-4 (6-12V)
Input Voltage (nominal)	12 V AC / 12V DC
Input Voltage Min	9.5 V AC/DC
Input Voltage Max	15 V AC/DC
Operation Temp.	-30°C +70°C
Dimensions L*W*H	0.98 in. x 0.98 in. x 0.74 in.
Constant Current Accuracy	± 10%
Efficiency (Typical)	83%
Working Humidity	20~95%
Storage Temp.	-40~ +90°C
Max Case Operation Temp.	<70°C
Wire Gauge (in \ out)	18AWG \ 18AWG
Safety Standards	UL8750
EMC Immunity \ Emission	Compliance to FCC Part 15B



The specifications are subject to change without notice