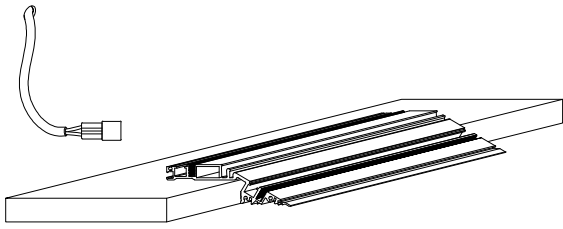


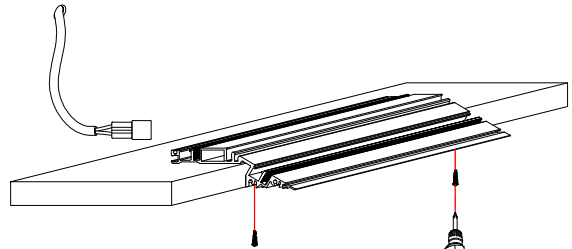
# Installation Instruction

LIGHT & GREEN LLC

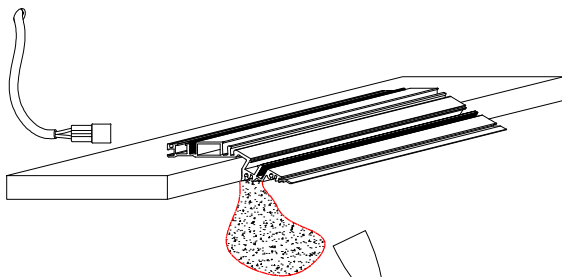
LG-5010



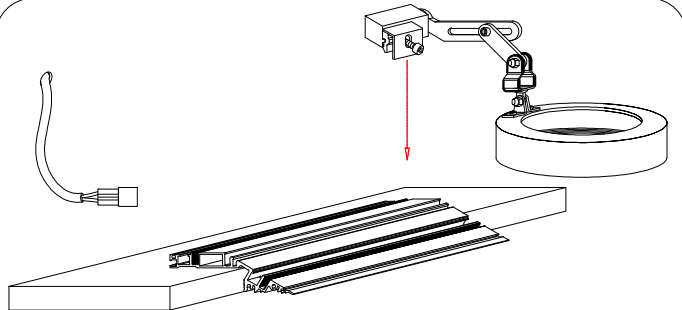
① Lay the profile knife cast



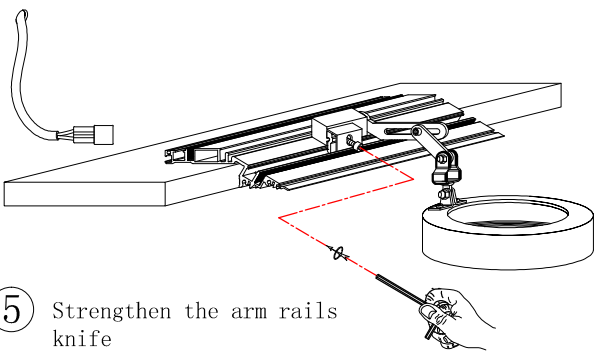
② Profile knife to strengthen plaster ceiling with screws



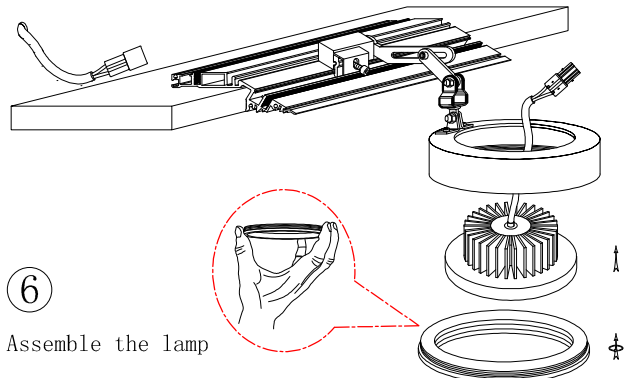
③ Fill the gap between plaster ceiling and profile knife



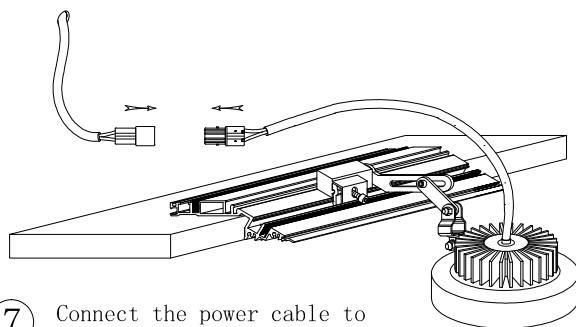
④ The arm



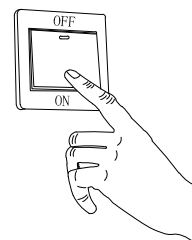
⑤ Strengthen the arm rails knife



⑥ Assemble the lamp



⑦ Connect the power cable to the cable lamp



⑧ Turn on the light