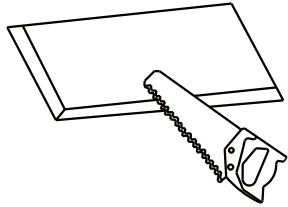


Installation Instruction

LIGHT & GREEN LLC

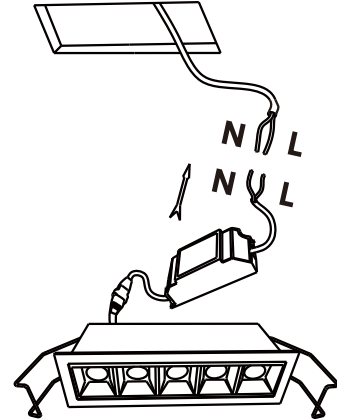
LG-7001, LG7002, LG-7005, LG-7010, LG-7015



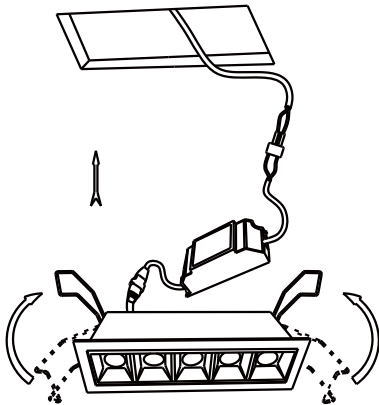
Cut out size:

LG-7001:1.45*1.45"
LG-7002:2.67*1.45"
LG-7005:5.5*1.45"
LG-7010:10.75*1.45"
LG-7015:16*1.46"

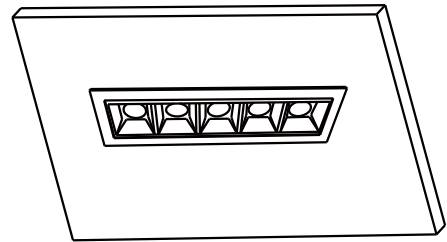
- 1 Cut out a hole with proper size in the ceiling



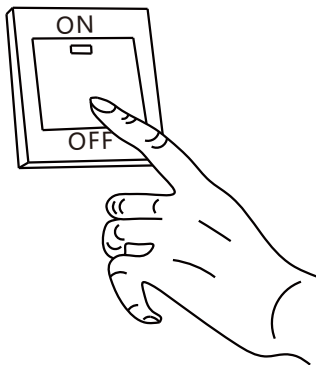
- 2 Connect the driver output wires to the main power(Please make sure the "L" and "N" to be connected in the right way)



- 3 Put the driver into ceiling hole and push the clips into ceiling and make sure the fixture is fixed firmly



- 4 Finished



- 5 Turn on the power and check if the fixture fixed in the right way