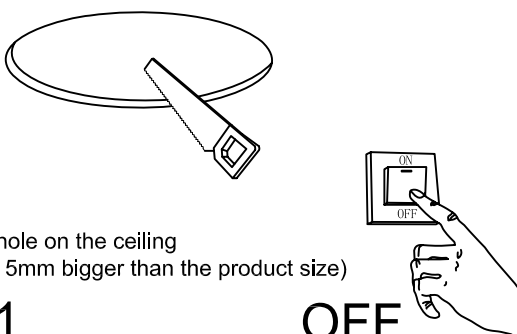


This trim have to use only with housing no.1001

1

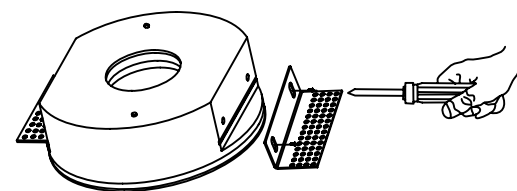


Cut a hole on the ceiling
(about 5mm bigger than the product size)

OFF

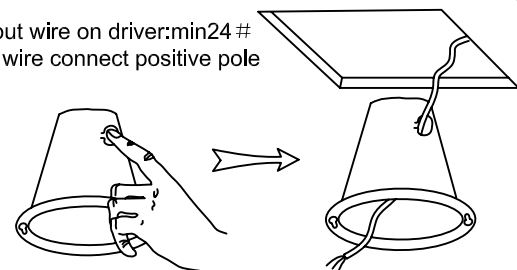
2

Lock the perforated bracket on trim
according to the thickness of the ceiling

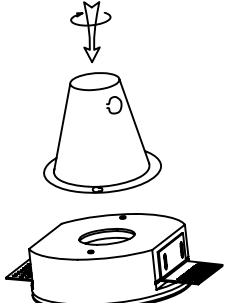


3

Output wire on driver: min24 #
Red wire connect positive pole
Black wire connect negative pole
Use current constant driver: 250mA 38-42V

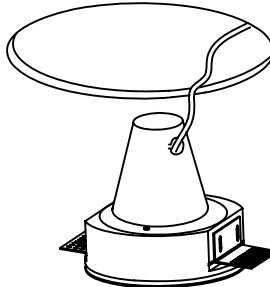


4



Fix the housing on the back side of the trim

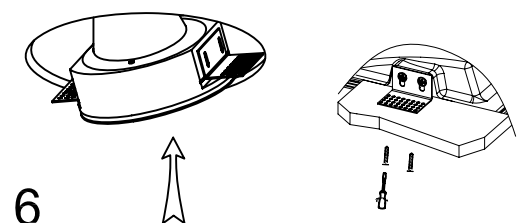
5



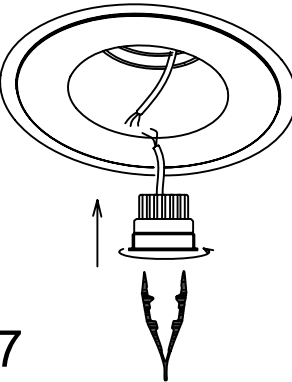
Put trim into the ceiling

6

From the front, screw through the ceiling to fix the perforated brackets, then trim fixed on the ceiling



7



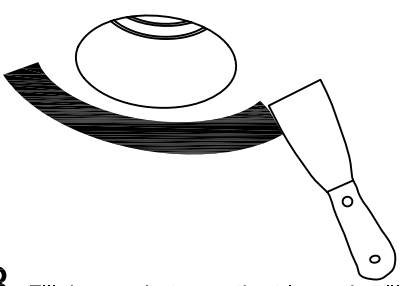
Connect driver with
the LED lamp

Red wire connect
positive pole

Black wire connect
negative pole

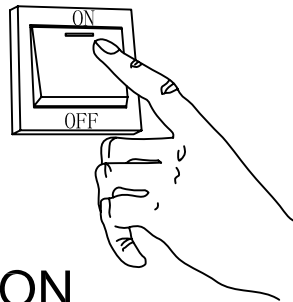
DC: 38-42V.
Constant: 250mA

8



Fill the gap between the trim and ceiling

9



ON