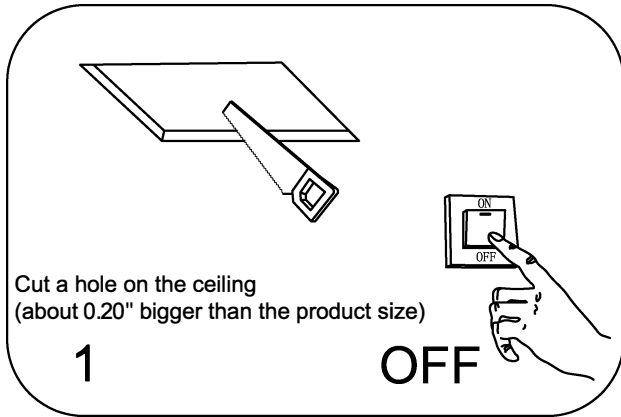


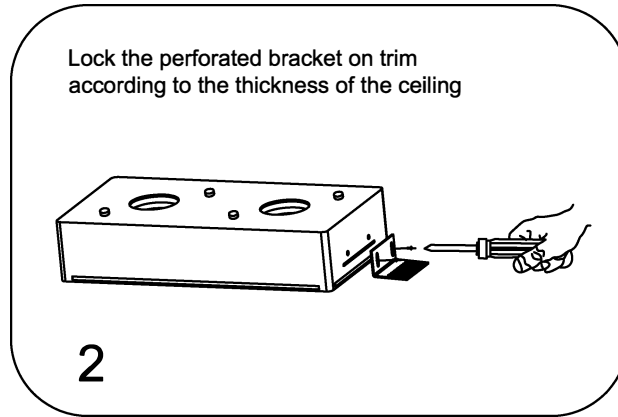
This trim have to use only with housing no.1001



Cut a hole on the ceiling
(about 0.20" bigger than the product size)

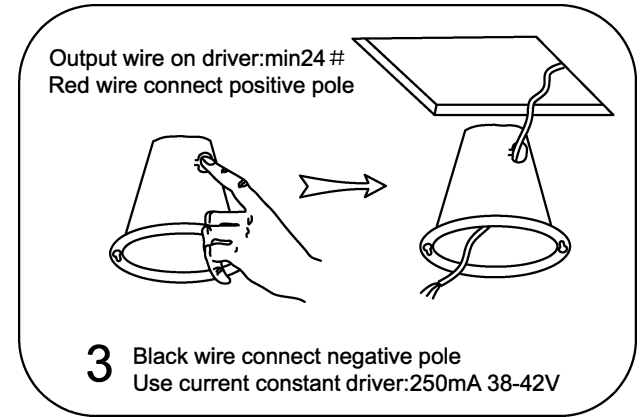
1 OFF

Lock the perforated bracket on trim
according to the thickness of the ceiling

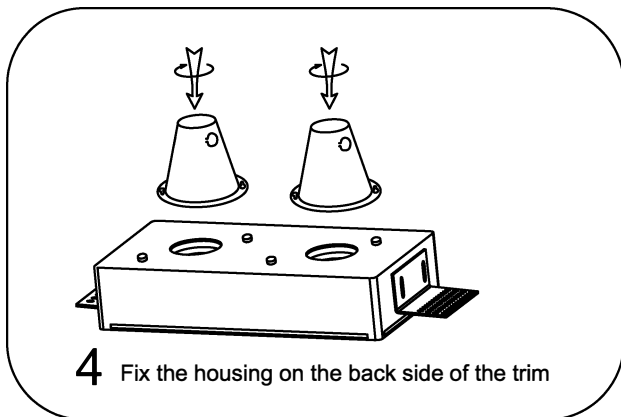


2

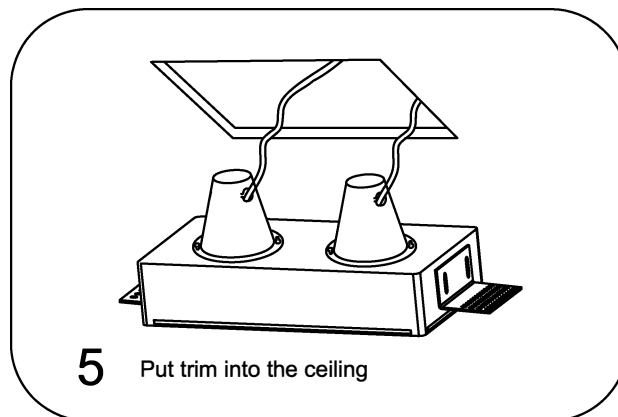
Output wire on driver: min24 #
Red wire connect positive pole



3 Black wire connect negative pole
Use current constant driver: 250mA 38-42V

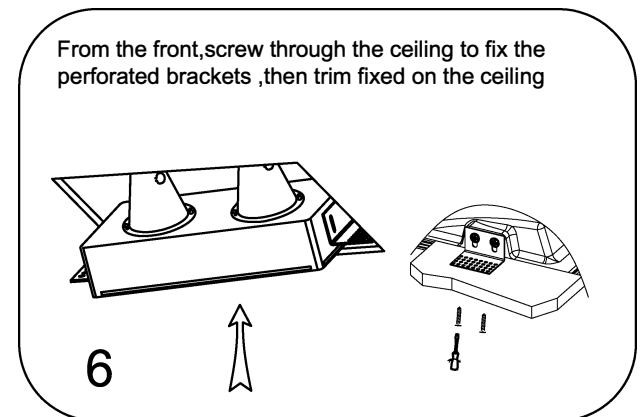


4 Fix the housing on the back side of the trim

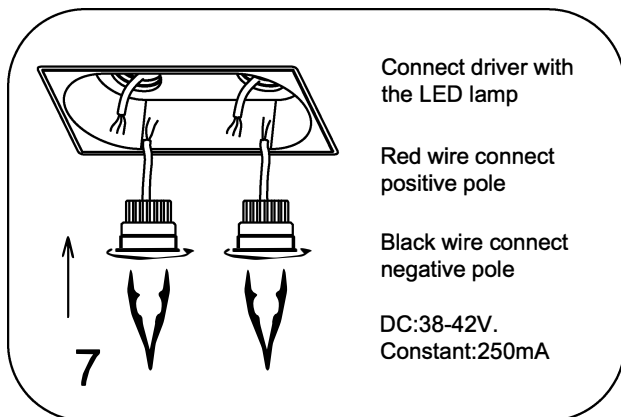


5 Put trim into the ceiling

From the front, screw through the ceiling to fix the perforated brackets, then trim fixed on the ceiling



6



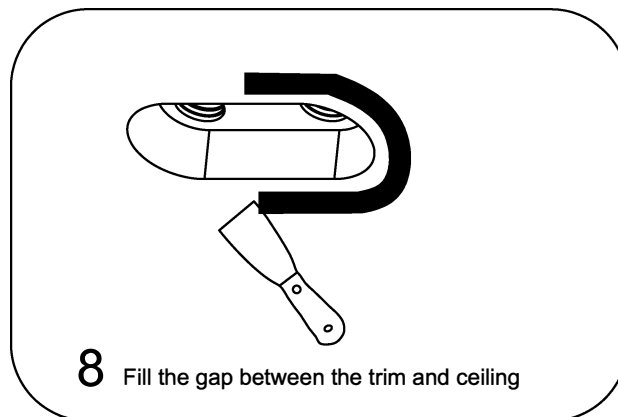
Connect driver with the LED lamp

Red wire connect positive pole

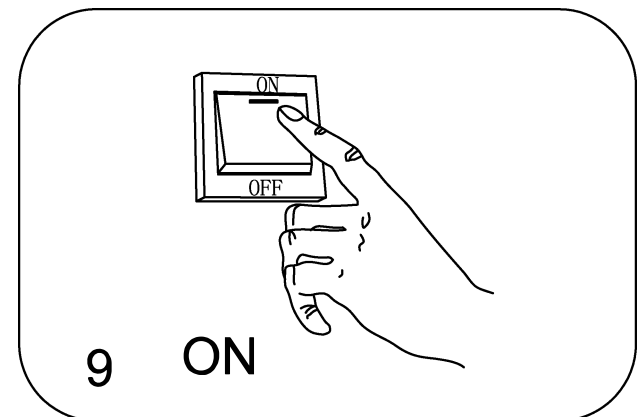
Black wire connect negative pole

DC: 38-42V.
Constant: 250mA

7



8 Fill the gap between the trim and ceiling



9 ON