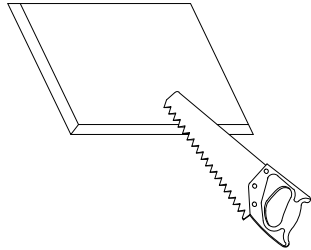


Installation Instruction

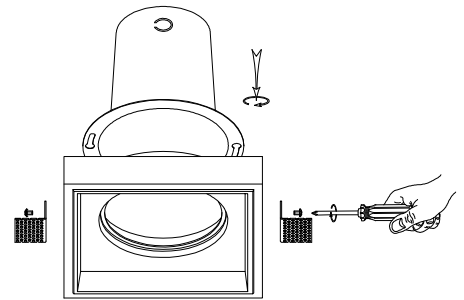
LIGHT & GREEN LLC

LG-9011AWH, LG-9012AWH, LG-9013AWH, LG-9014AWH, LG-9015AWH

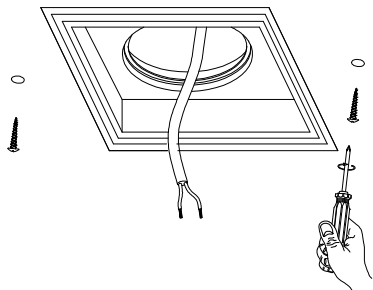


Cut out size:
LG-9011AWH: 5.75" x 11.25"
LG-9012AWH: 5.75" x 11.25"
LG-9013AWH: 5.75" x 5.75"
LG-9014AWH: 5.75" x 5.75"
LG-9015AWH: Ø 8.10"

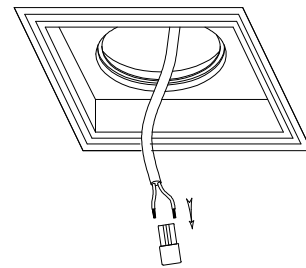
① Cut out a hole with proper size in the ceiling.



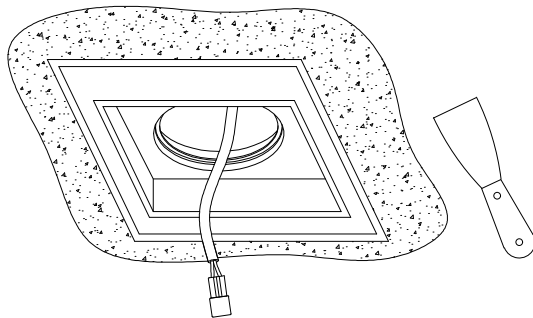
② Fix mesh holders and metal housing to the plaster.



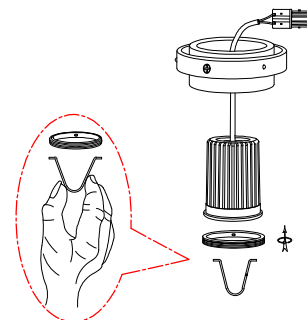
③ Fix plaster to the ceiling by crews.



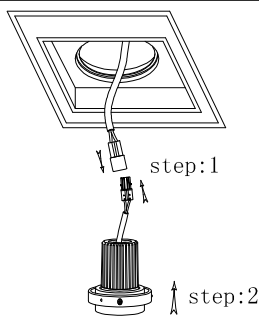
④ Connect the lead wire to connector.



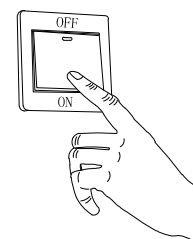
⑤ Fill up gap between ceiling and plaster body.



⑥ Assemble the LED lamp into the metal part.



⑦ Join the connector, clip the metal part to plaster.



⑧ Check if the installation is completed and turn on the power.